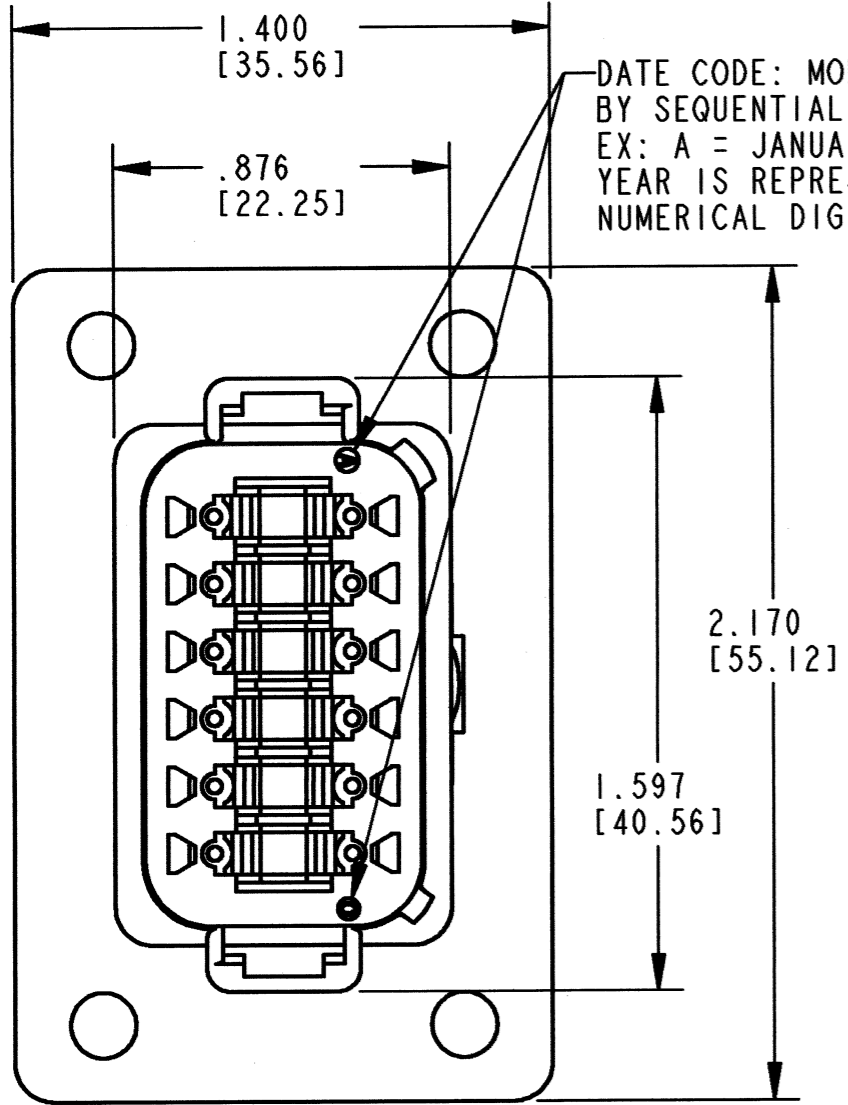
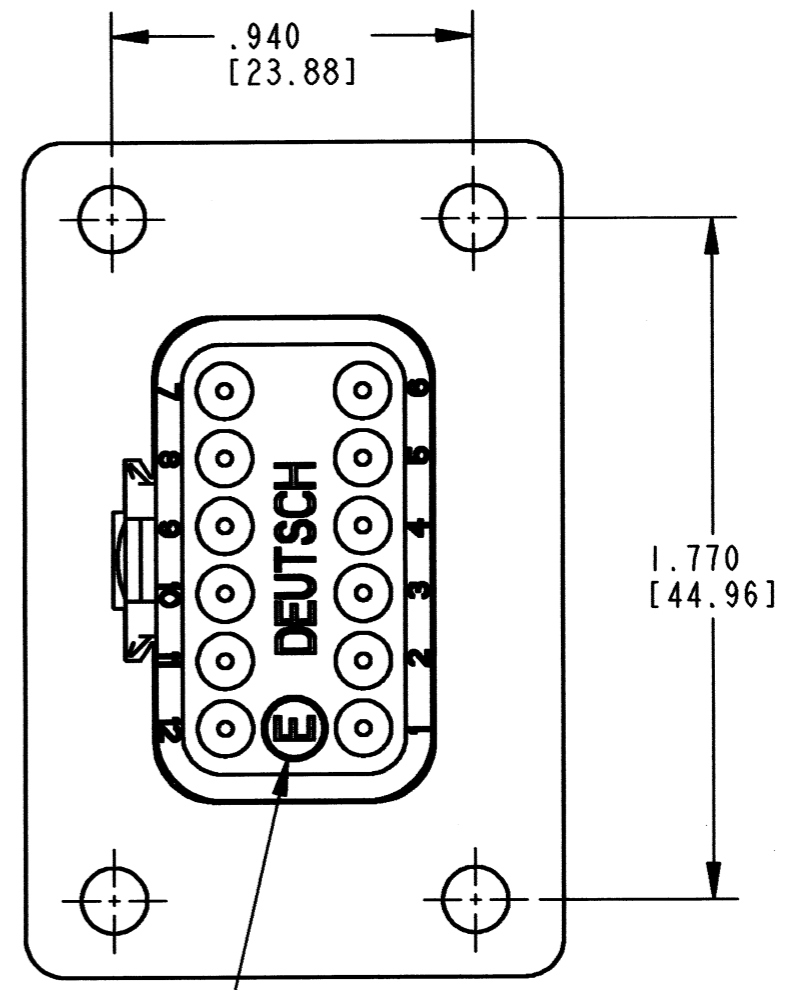
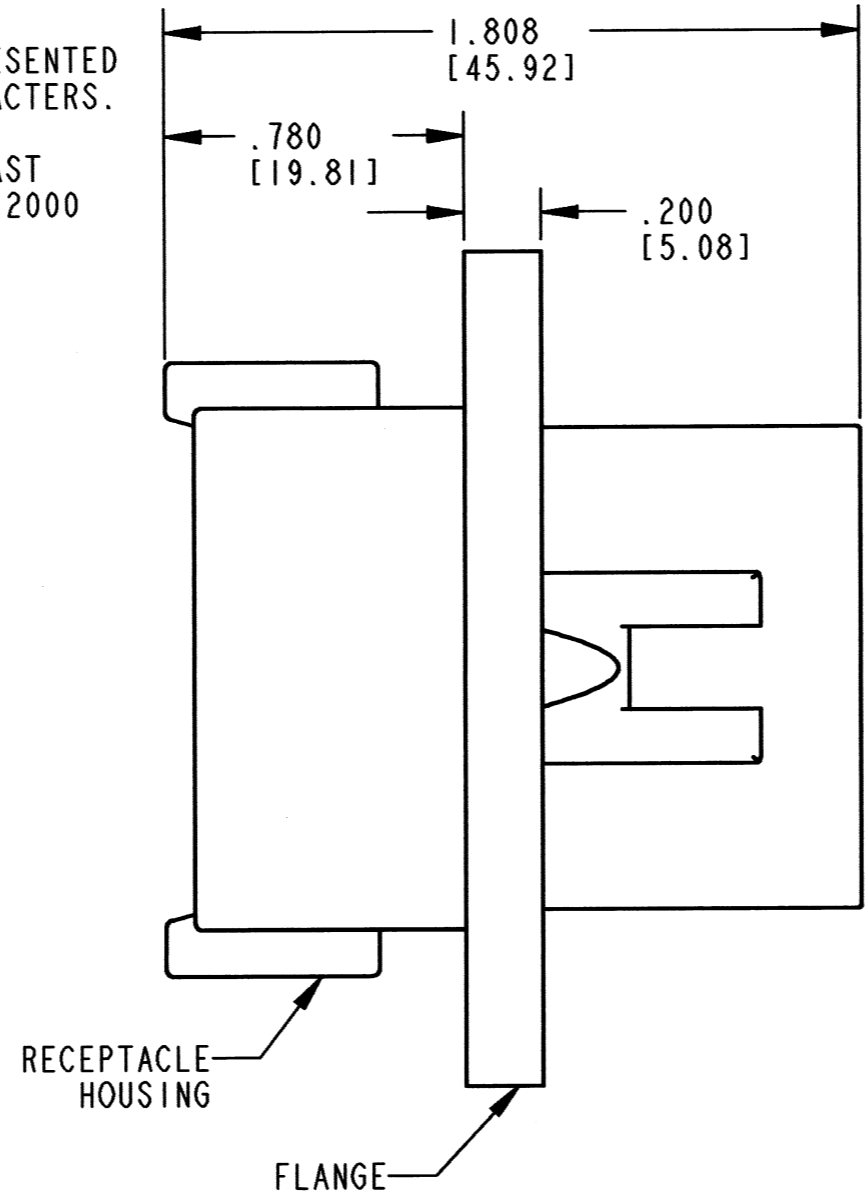


REV  
A DT04-12P\*-CL03

REVISIONS			
SYM	DESCRIPTION	DATE	APPROVED
NC	NEW RELEASE PER E.O. P19833	5/12/08	R.D.R.
A	REVISED PER E.O. P20438	5-18-10	RDR



DATE CODE: MONTH IS REPRESENTED BY SEQUENTIAL ALPHA CHARACTERS. EX: A = JANUARY  
YEAR IS REPRESENTED BY LAST NUMERICAL DIGIT. EX: 0 = 2000



-E- SYMBOL DESIGNATES REDUCED WIRE SEAL

- 5. CONNECTOR MATERIAL IS PLASTIC AND SEAL IS RUBBER. FLANGE COLOR IS GREY. FOR HOUSING COLOR SEE SHEET 2.
- 4. THIS RECEPTACLE MATES WITH DT06-12\*-\*\*\*\* PLUG. (\* = KEY ARR. A, B, C, OR D; \*\*\*\* = ALL MODIFICATIONS) CONSULT FACTORY FOR MODIFICATIONS.

3. FOR CONTACTS AND WIRE PERFORMANCE AND APPLICATION CHARACTERISTICS, SEE ENVELOPE DRAWINGS 0425-015-0000 AND 0425-017-0000.

- 2. DIMENSIONS ARE ±.025[0.63] UNLESS OTHERWISE SPECIFIED.
- 1. DIMENSIONS ARE IN INCHES [MILLIMETERS].


NOTES:

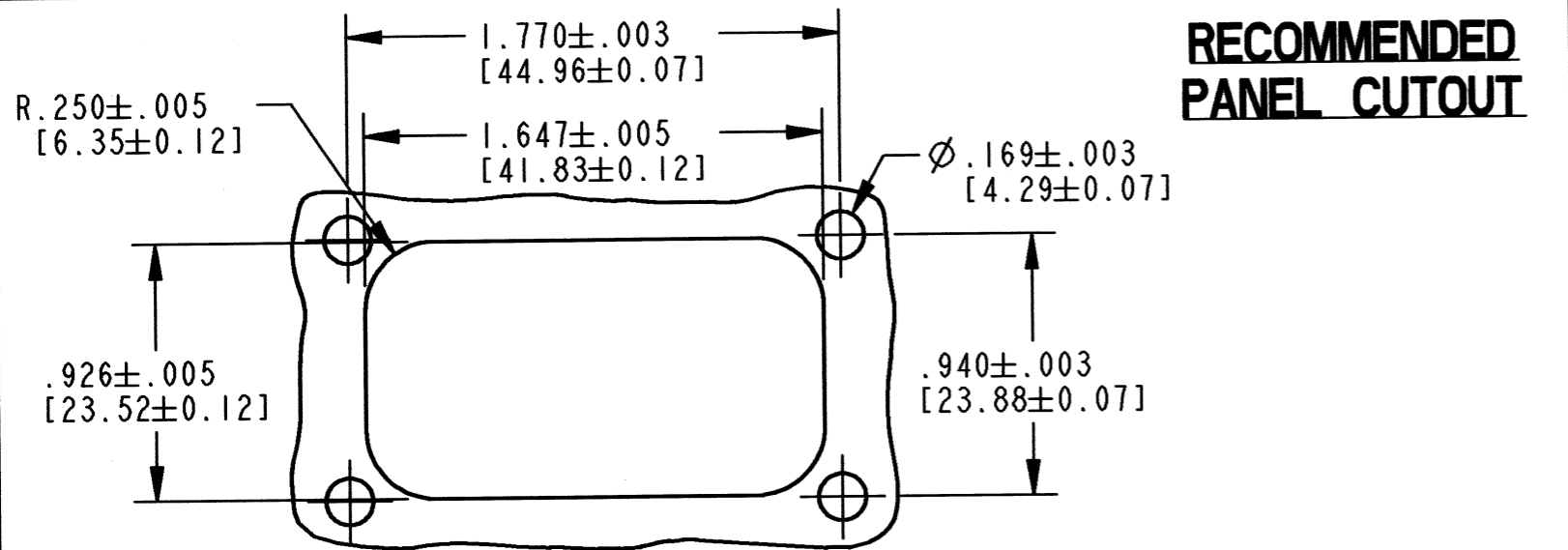
CONTACT SIZE	MIN. INSUL. O.D.	MAX. INSUL. O.D.	WIRE RANGE [mm <sup>2</sup> ] REF ONLY
16	.053 [1.35]	.120 [3.05]	14-20 AWG [2.0-0.5]

SIGNATURE & DATE	
DR	R. MESSENGER 4/24/08
CHK	R. M. 5/14/10
PE	H. M. 2/22/10
APPD	S. B. 5.4.10
SCALE	NONE WT

12 WAY RECEPTACLE  
FLANGE  
E SEAL  
DT SERIES

ENVELOPE

EP	MATL. CODE
 3850 INDUSTRIAL AVE. HEMET, CA 92545 <b>DEUTSCH</b> INDUSTRIAL	
<b>B</b>	<b>DT04-12P*-CL03</b>
DWG SIZE	CODE 11139 SHEET 1 OF 2

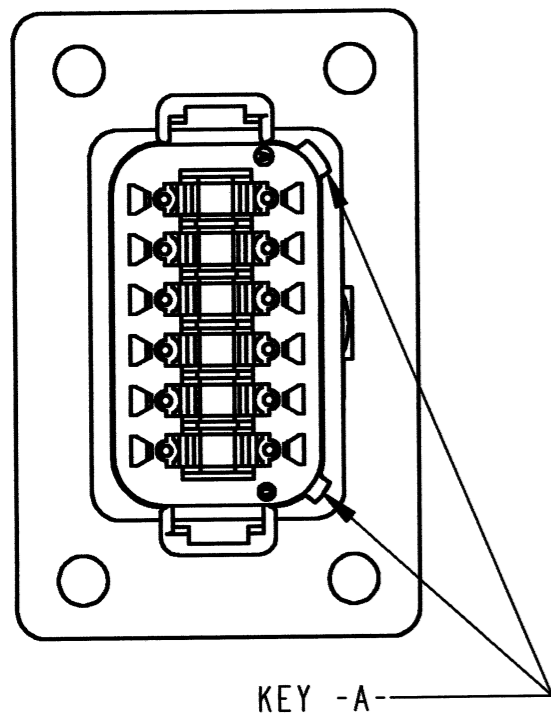


**RECOMMENDED  
PANEL CUTOUT**

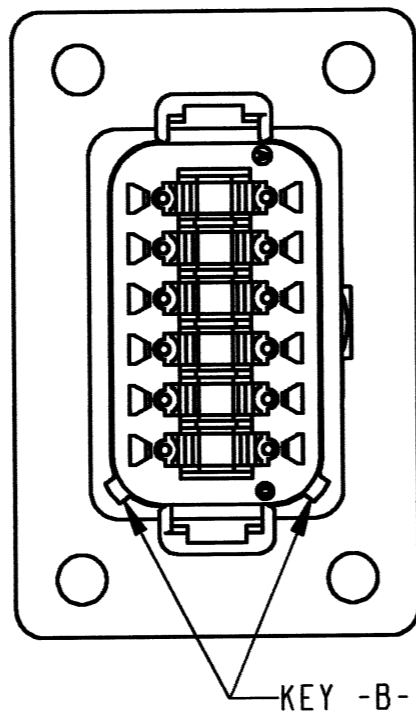
REV  
A DT04-12P\*-CL03

REVISIONS			
SYM	DESCRIPTION	DATE	APPROVED
A	SEE SHEET 1	5-18-10	RDR

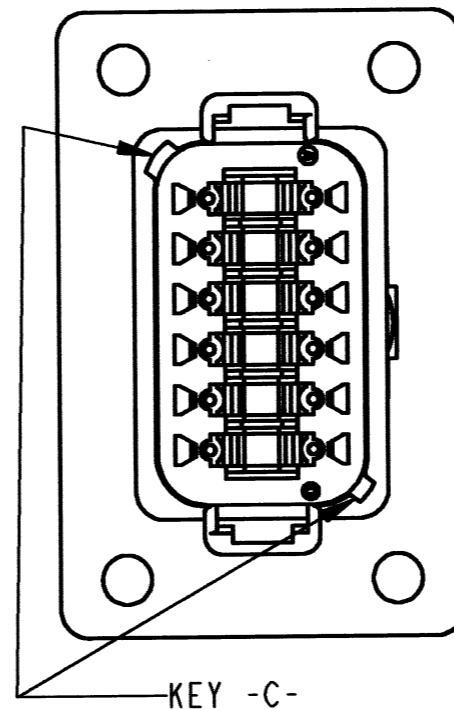
**DT04-12PA-CL03  
KEY -A-  
COLOR: GREY**



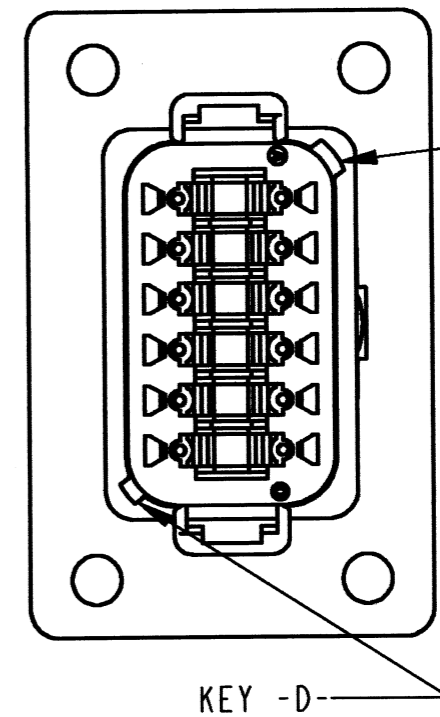
**DT04-12PB-CL03  
KEY -B-  
COLOR: BLACK**



**DT04-12PC-CL03  
KEY -C-  
COLOR: GREEN**



**DT04-12PD-CL03  
KEY -D-  
COLOR: BROWN**



NOTES:

SIGNATURE & DATE	
DR	R. MESSENGER 4/24/08
CHK	R. Messenger 5/14/10
PE	R. Messenger 2/22/10
APPD	S. Beard 5.4.10
SCALE	NONE WT

**12 WAY RECEPTACLE  
FLANGE  
E SEAL  
DT SERIES**

ENVELOPE

EP	MATL. CODE
3850 INDUSTRIAL AVE. HEMET, CA 92545	
<b>B</b>	<b>DT04-12P*-CL03</b>
DWG SIZE	CODE 11139 SHEET 2 OF 2